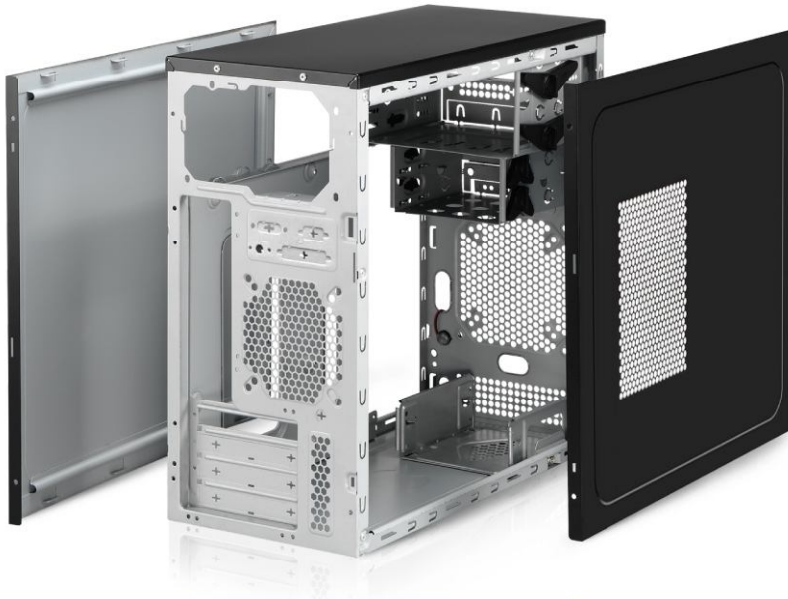


Chassis

CM-xx27



Optional
Black interior
painting

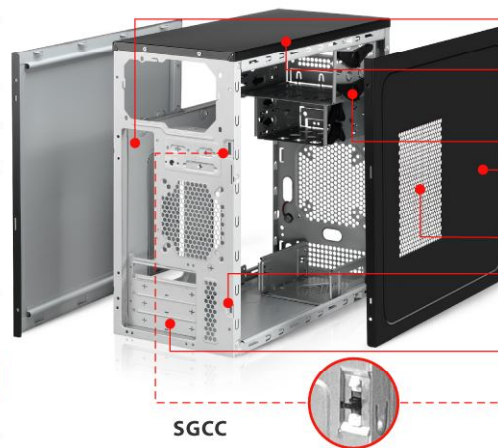
Ø 80 / Ø 90 / Ø 120 mm
(Optional)



Features of CM-xx27

Dimension (mm)	360(H)x180(W)x375(D) mm (24.3 liter)
Drive Bays	5.25" Externalx2 3.5" Externalx2, 3.5" Internalx2
Expansion Slots	4
Mainboard	Micro ATX
Fan (mm)	Front: 80x80 x1 or 90x90 x1 or 120x120 x1 (Optional) Rear: 80x80 x1 or 90x90 x1 (Optional)
Power Supply	PX/PL/PK/PW Series

Chassis



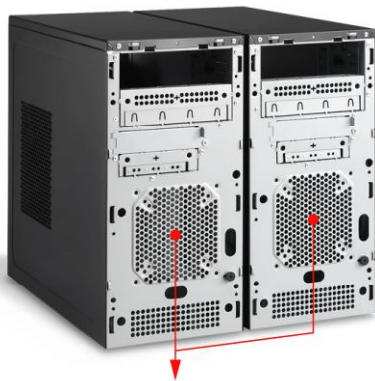
- Rear window EMI (CE) shield**
To enhance EMI (CE) effect
- Smooth edges**
To provide greater safety for users
- ODD/FDD screw-less parts**
- Textured design**
To provide better feel and ease to handle
- TAC 2.0 SIDE VENT**
- Kensington security slot**
For kensington security cable purpose
- Unique design**
To increase ventilation efficiency
- Intrusion Switch (Optional)**
To monitor the status of the chassis cover

SGCC

Packing Information

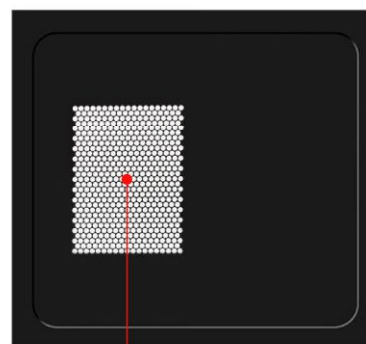
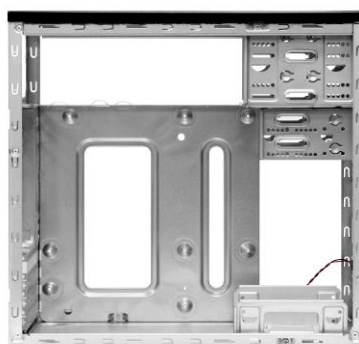
	CUFT.	N.W.	G.W.	20FT	40FT	40HQ
CM-xx27	1.51'	4.22	5.06	681	1431	1630

Front View



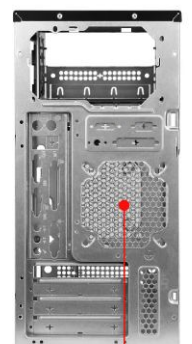
Front Fan:
80x80 mm x1 or
90x90 mm x1 or
120x120 mm x1 (Optional)

Side View



TAC 2.0 SIDE VENT

Back View



Rear Fan:
80x80 mm x1 or
90x90 mm x1
(Optional)